

EXTERNAL CABINET PARTS—CONTINUED

CABINETS A, B, AND C—CONTINUED

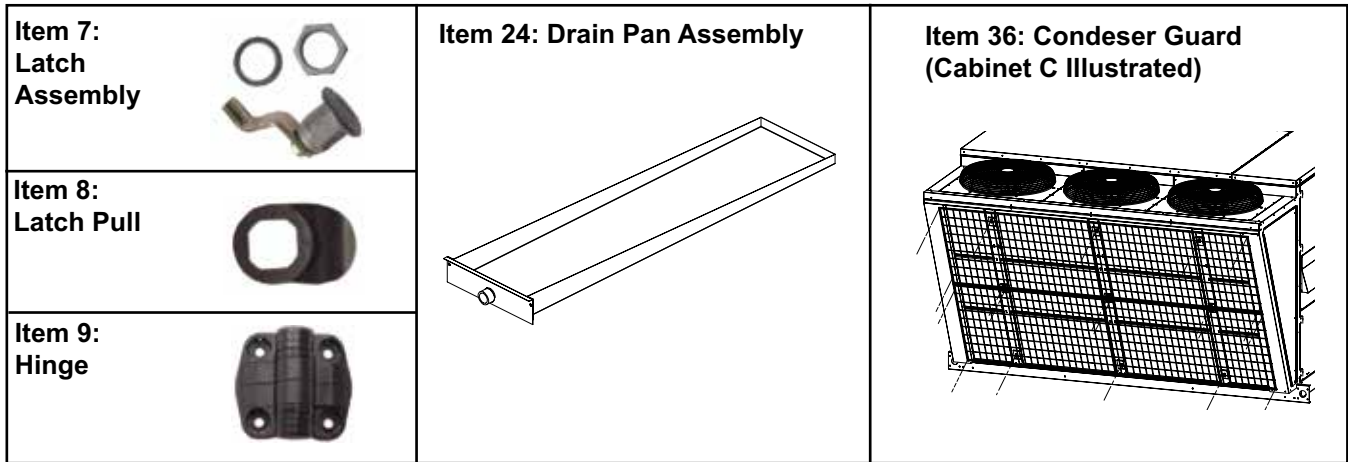


Figure 30. External Cabinet Parts—Cabinets A, B, and C (Refer to Table 45)

Table 45. External Cabinet Parts (Cabinets A, B, and C)				
Item No.	Component	Cabinet		
		A	B	C
		PN (Quantity)*		
1	Filter access door assembly	256683		254222
2	Coil access door assembly	256686		254220
3	Blower door assembly	204503		208113
4	High voltage control door assembly	204505	204506	208118 (2)
5	Compressor door assembly	204507	204508	208117
6	Low voltage control door assembly	257232		257230
7	Latch assembly**	204469		
8	Latch pull**	204470		
9	Hinge**	158800		
10	Heat section access panel, gas heat panel with intake	204509	257212	—
	Heat section access panel, electric heat or no heat	205123	205124	258379
11	Heat section access panel, hinged, gas heat access, left	—		208116
12	Heat section access panel, hinged, gas heat access, right			258376
13	Combustion air intake panel, gas heat			222589
	Combustion air intake panel, electric heat or no heat	208397		
14	Condenser access panel	256163		257767
15	Top panel, one-piece	258443	—	
16	Top panel, blower section	—	256719	—
17	Top panel, compressor and high voltage compartments	—	256721	—
18	Top panel, coil and filter sections	—	256723	—
19	Top panel, side	—		254224
20	Top panel, front	—		255129
21	Top panel, left	—		254225
22	Center post cover	256678		254219
23	Drain cover	256680		255131
24	Drain pan assembly, removable for cleaning	256793	256792	255073
25	Rear corner cover	256291		254218
26	Front corner cover	256287		266006
27	Field connection panel	257789		208023
28	Control door frame top and bottom	257791 (2)		208022 (2)

*Quantity is one (1) unless otherwise indicated.

**Items 7/8 are part of heat section access panel on cabinets A and B. Items 7/8/9 are part of heat section access panel on cabinet C.